



DÖTTLING

FINEST GERMAN HANDCRAFT
SINCE 1919

INSERT VARIATIONS



DÖTTLING

FINEST GERMAN HANDCRAFT
SINCE 1919

All illustrated drawer inserts are available for the following models:

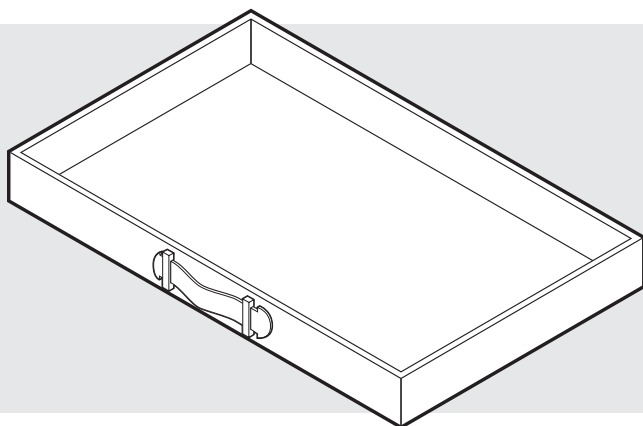
The Bel-Air
The Bel-Air Magnus

Pauline
Liberty

The Fortress
The Gallery

The configuration of the drawer inserts in the final product may deviate slightly from those illustrated.

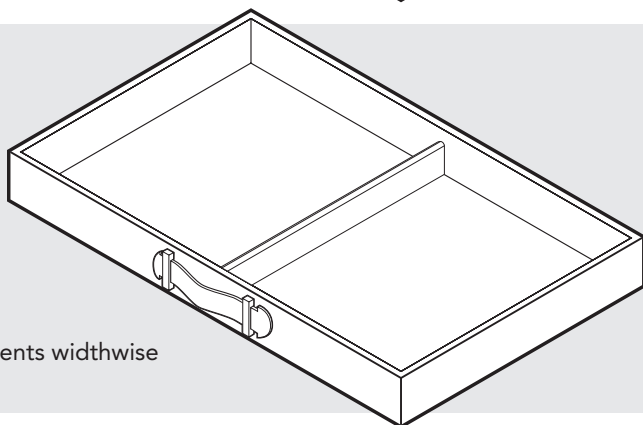
Insert #1



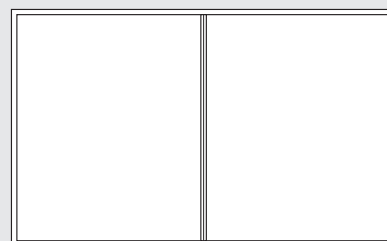
blank



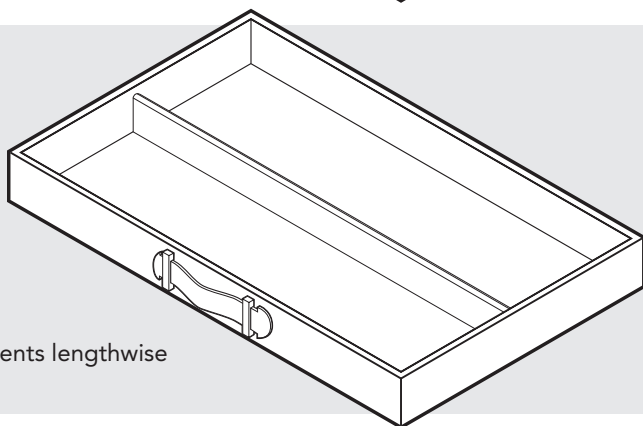
Insert #2



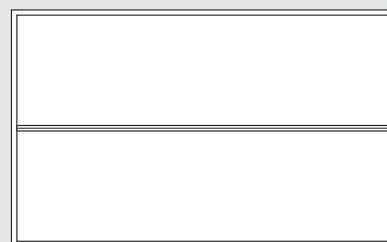
2 compartments widthwise



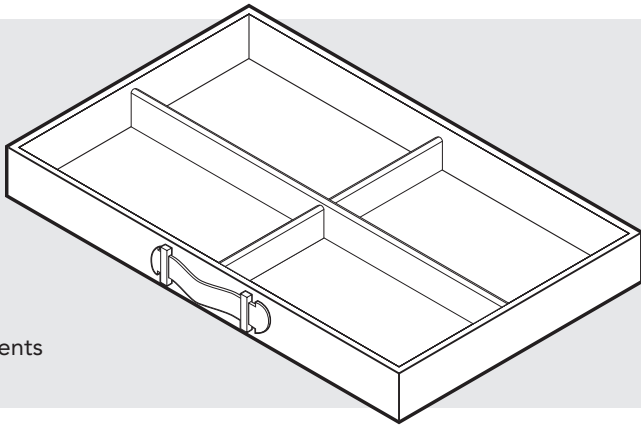
Insert #3



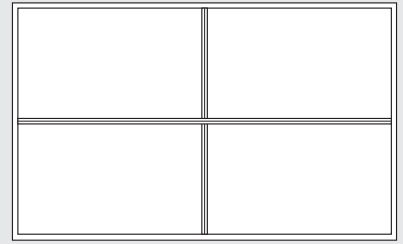
2 compartments lengthwise



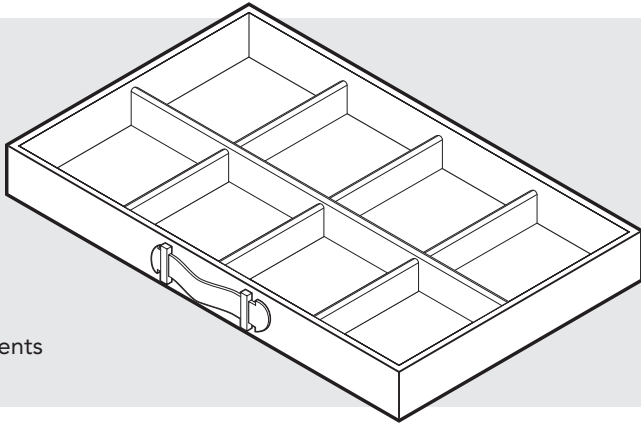
Insert #4



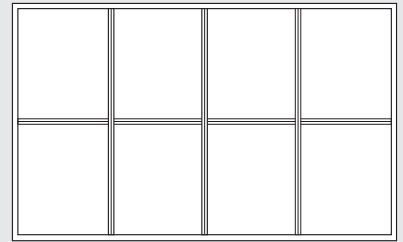
4 compartments



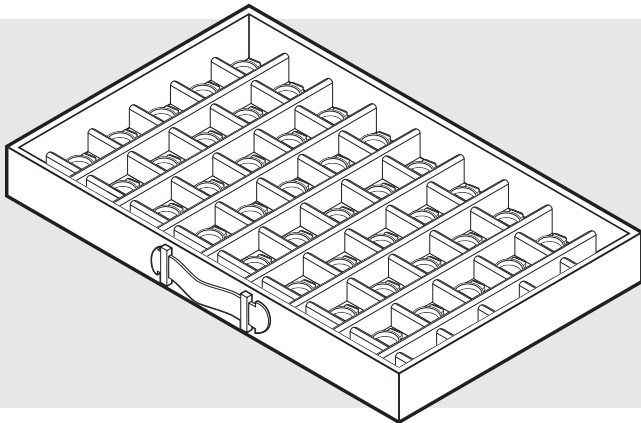
Insert #5



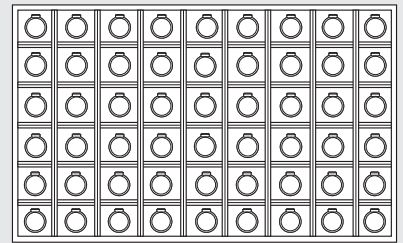
8 compartments



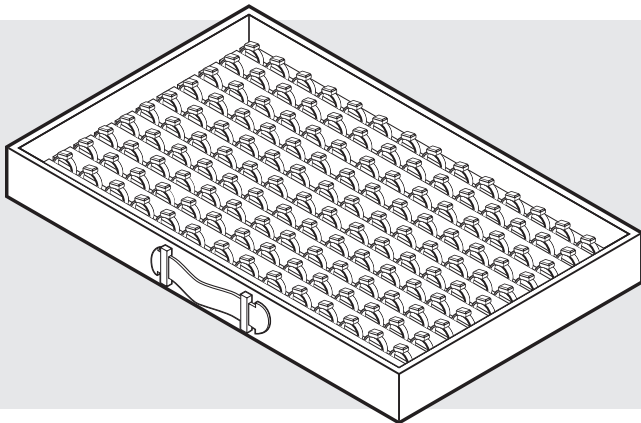
Insert #6



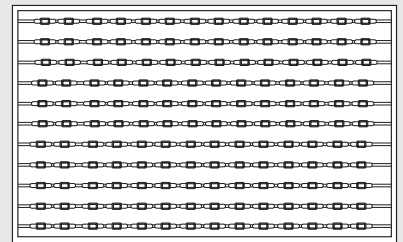
for rings



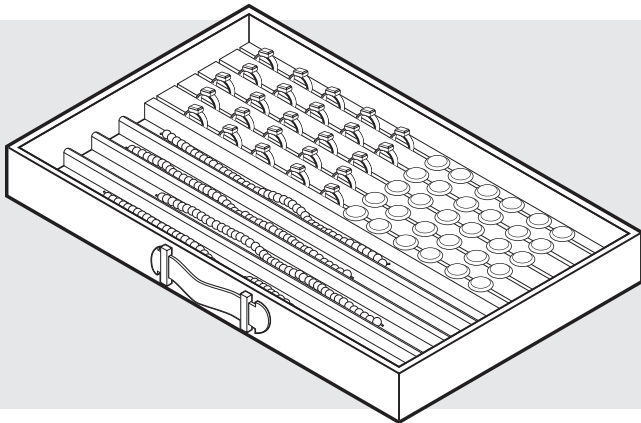
Insert #7



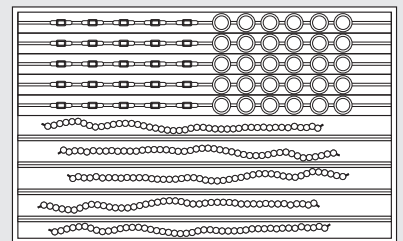
for rings



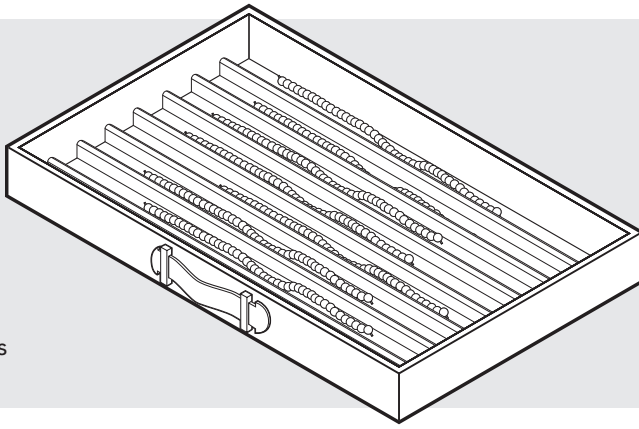
Insert #8



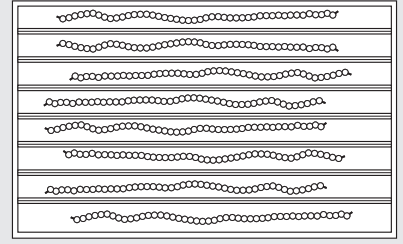
for jewelry



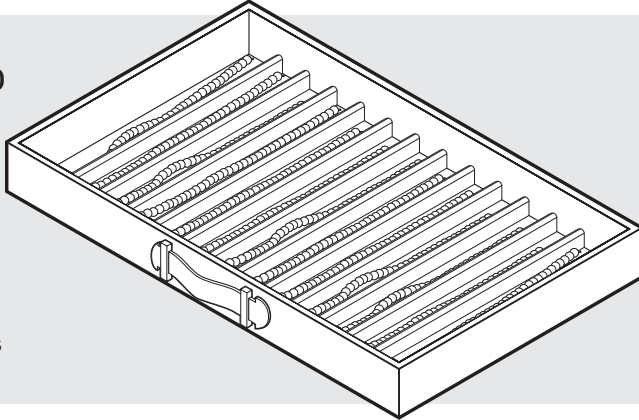
Insert #9



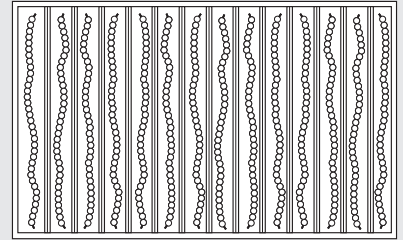
for necklaces



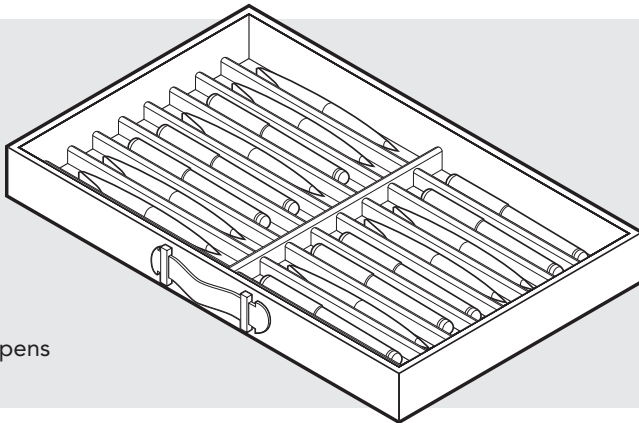
Insert #10



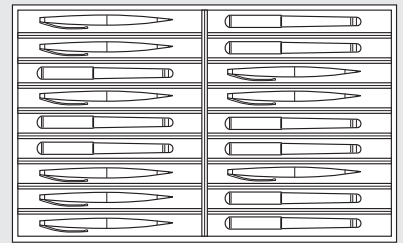
for bracelets



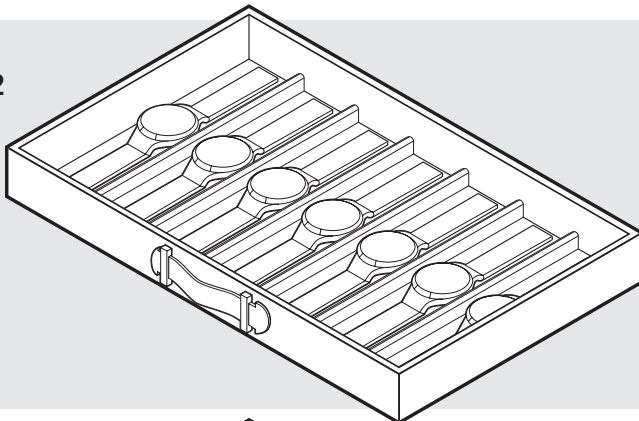
Insert #11



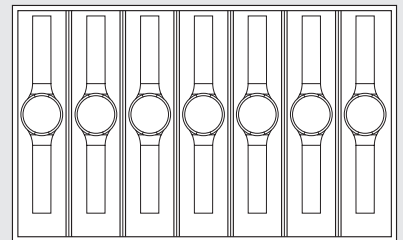
for fountain pens



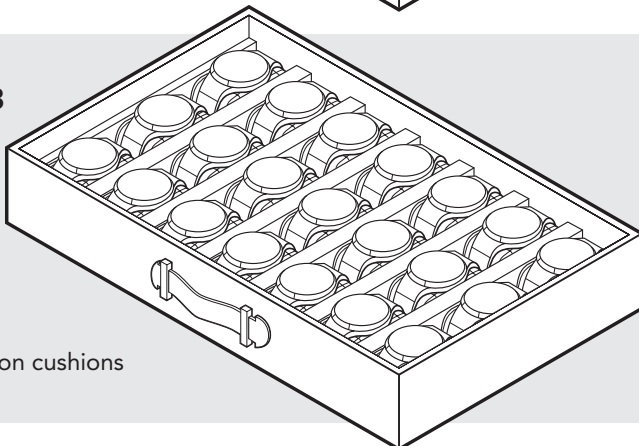
Insert #12



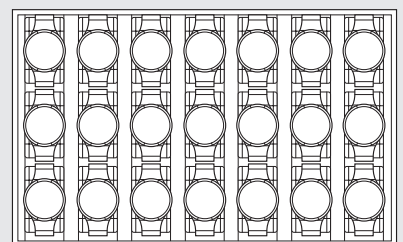
for watches



Insert #13



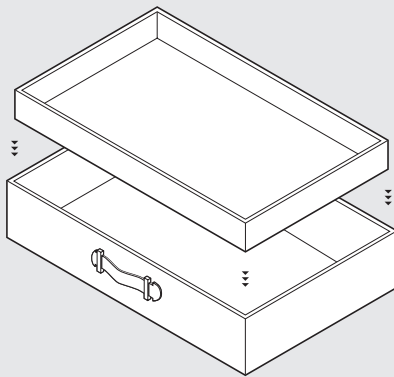
for watches on cushions



For our most luxurious models

The Bel-Air, The Bel-Air Magnus, and Pauline

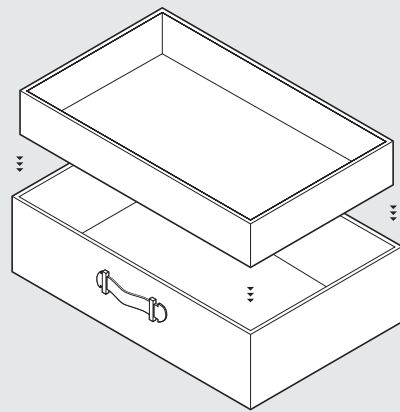
the drawer interiors are implemented as comfortable removable inserts.



Small drawer

Height 90 mm (3.54")

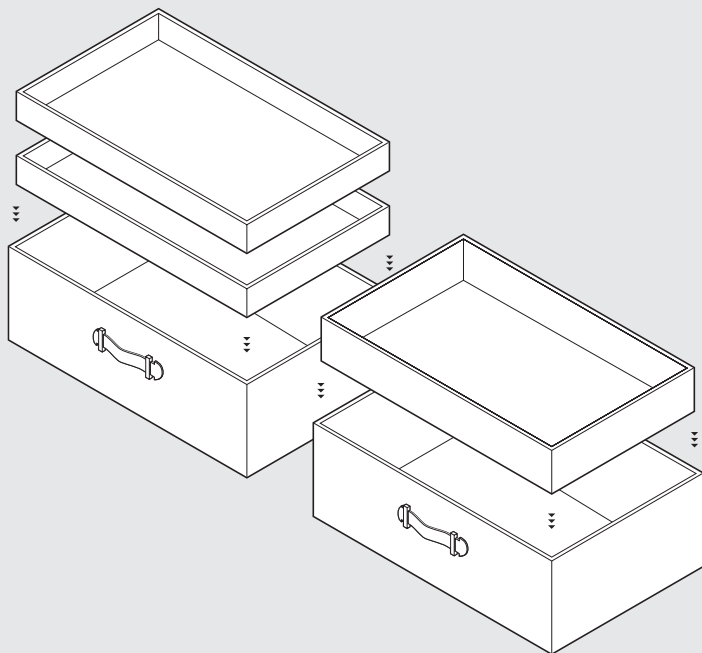
Can be fitted with:
1x insert #1-12



Medium-sized drawer

Height 120 mm (4.72")

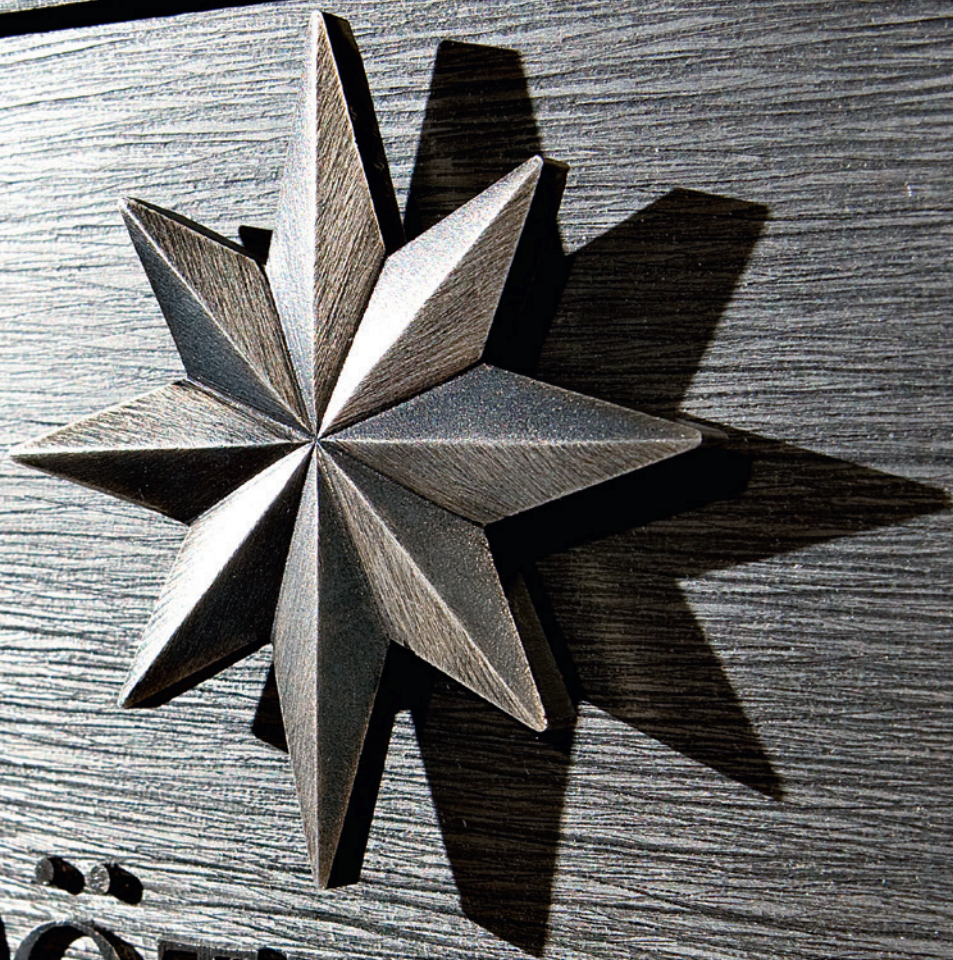
Can be fitted with:
1x insert #13



Large drawer

Height 150 mm (5.9")

Can be fitted with:
2x insert #1-12 or 1x insert #13



DÖTTLING

Döttling GmbH

Margret-Fusbahn-Straße 5
71063 Sindelfingen
Germany

E-mail: info@doettling.com
Tel. +49-7031-4374-560

Website: www.doettling.com

Visit us on Facebook:
www.facebook.com/doettling