



DÖTTLING

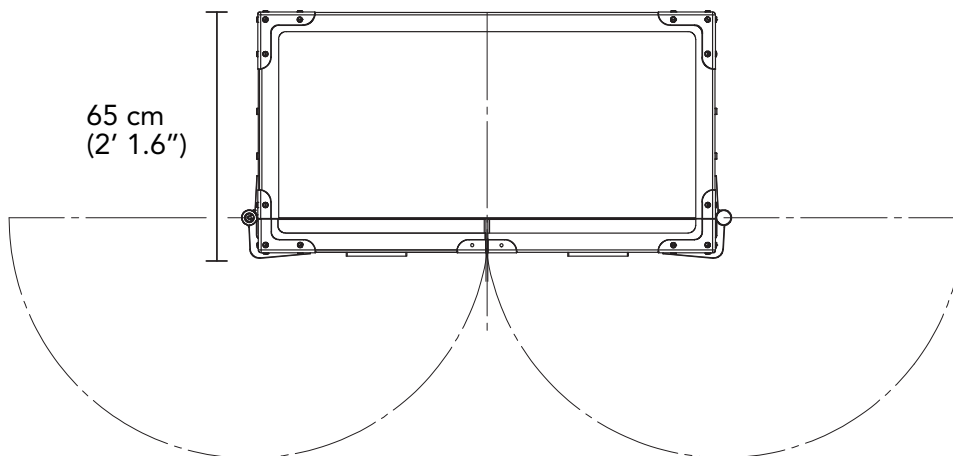
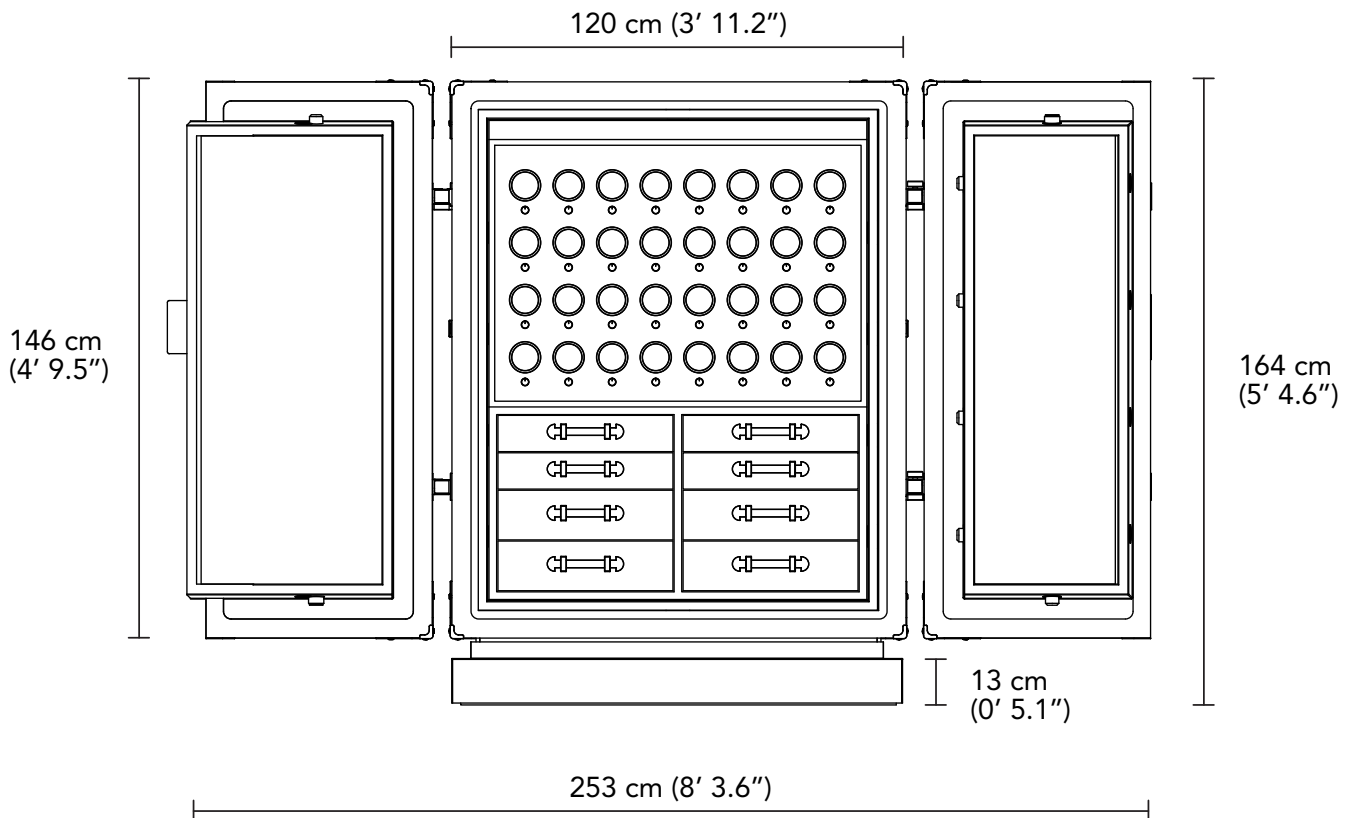
FINEST GERMAN HANDCRAFT  
SINCE 1919

## THE BEL-AIR

High Security Luxury Safes

MAGNUS

Technical data and measurements:



Weight: 1.500 kg (approx. 3,307 lbs)